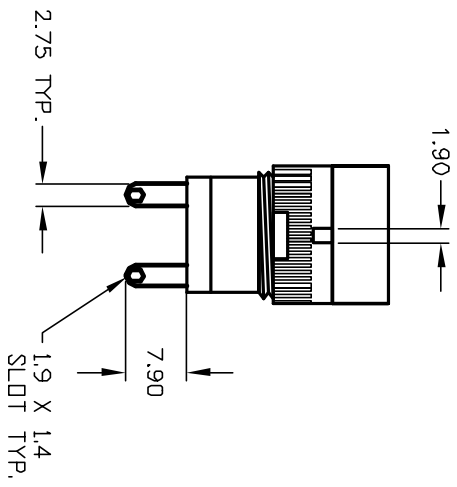
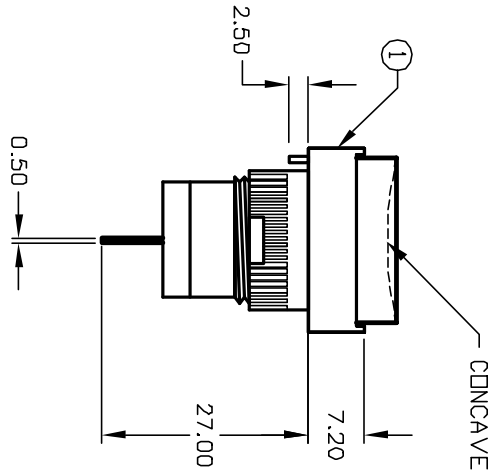
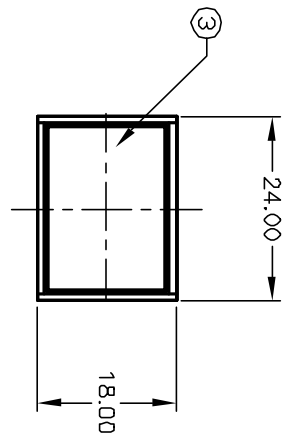


RECOMMENDED PANEL MOUNTING

SCALE 1:1

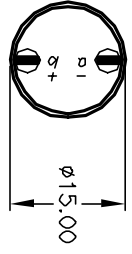


α -L-b (+)

CIRCUIT: PILOT INDICATOR

- NOTES:
1. ALL DIMENSIONS IN MM
 2. GENERAL TOLERANCE: X.X=±0.4
X.XX=±0.25
 3. RATINGS: 1A, 2A, 4A, 5A @250V AC
6V AC/DC 40Ma (INCANDESCENT BULB)
 4. CONTACT MATERIAL: COPPER ALLOY W/Silver Plating

PARTS LIST		
ITEM	QTY.	PART NO. PART DESCRIPTION
1	1	F040001 L16 PL T1 00
2	1	F050401 50-004-01 (Incandescent bulb)
3	1	F050202 50-002-02 (GRN lens)



E-SWITCH®

TITLE L16 PL T10 M GRN

REV.	ECN No.	DESCRIPTION	DATE	CHKD
A	13197	RELEASE FOR PRODUCTION	6/10/03	AR

SCALE	DATE	DR	DWG	REV
1:1	6/10/03	AR	XF0255P	A

THE INFORMATION CONTAINED IN THIS DOCUMENT IS PROPRIETARY TO E-SWITCH AND IS NOT TO BE COPIED OR TRANSFERRED